

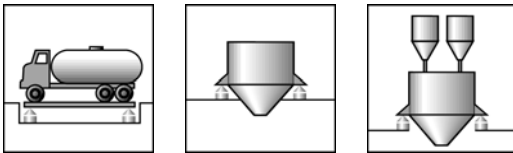


C16A...

Self-restoring
rockerpin load cell

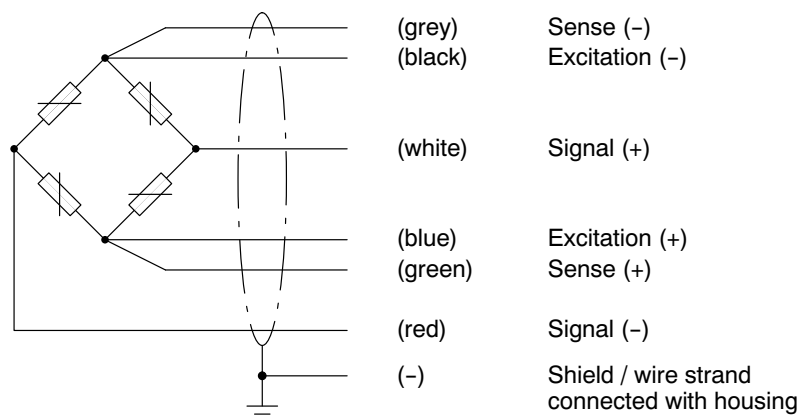
Special features

- Self-restoring function
- Maximum capacities: 20 t ... 100 t
- Simple to install
- Stainless steel materials, laser welded, IP68
- Legal for trade verification
 - up to 5000 d (OIML R60)
 - up to 10 000 d (NTEP class III LM)
- Optimized for parallel connection by corner pre-adjustment
- Meets EMC / ESD requirements according to EN 45 501
- Explosion proof versions according to ATEX 95 (optional)



Wiring code

Wiring code (6-wire circuit):



Specifications

Type		C16A D1					C16A C3				
		20 t	30 t	40 t	60 t	100 t	20 t	30 t	40 t	60 t	100 t
Maximum capacity (E_{max})		20 t	30 t	40 t	60 t	100 t	20 t	30 t	40 t	60 t	100 t
Accuracy class accord. to OIML R60		D1 (0.0330 %)					C3 (0.0170 %)				
Max. numbers of load cell verification intervals (n_{LC})		1000 (10000 NTEP III LM)					3000				
Min. load cell verification interval (v_{min})	% of E_{max}	0,0200 (0.0068 NTEP III LM)					0.0100	0.0083	0.0167 [Option: 0.0050]		
Min. scale verification interval (e_{min}) according to EN 45 501 [...# = max. Number of load cells]	kg	-	-	-	-	-	5 [6#] 10 [10#]	10 [10#]	10 [6#] 20 [10#]	10 [4#] 20 [10#]	50 [8#]
Sensitivity (C_n)	mV/V	2									
Sensitivity tolerance ¹⁾	%	±0.5 ¹⁾									
Temperature effect on sensitivity (TK_C) ²⁾	% of C_n	±0.0250 ²⁾					±0.0080 ²⁾				
Temperature effect on zero signal (TK_0)	/ 10 K	±0.0285					±0.0140	±0.0116	±0.0234		
Hysteresis error (d_{hy}) ²⁾		±0.0330 ²⁾					±0.0170 ²⁾				
Non-Linearity (d_{lin}) ²⁾		±0.0300 ²⁾					±0.0180 ²⁾				
Creep (d_{cr}), 30 min.	% of C_n	±0.0330					±0.0167				
Min. dead load output return (DR), 30 min.		±0.0330 (±0.0150 NTEP III LM)					±0.0167				
Input resistance (R_{LC}) (black-blue)	Ω	700 ±20									
Output resistance (R_0) ¹⁾ (red-white)		706 ±3.5 ¹⁾									
Reference excitation voltage (U_{ref})	V	5									
Nominal range of excitation voltage (B_U)		0.5 ... 12									
Insulation resistance (R_{is})	GΩ	> 5									
Nominal range of ambient temperature (B_T)	°C [°F]	-10 ... +40 [+14 ... +104]									
Service temperature range (B_{tu})		-30 ... +70 [-22 ... +158]									
Storage temperature range (B_{tl})		-50 ... +85 [-58 ... 185]									
Limit load (E_L)		150									
Breaking load (E_d)		> 350									
Permissible dynamic load (F_{srel}) (vibration amplitude according to DIN 50100)	% of E_{max}	70									
Maximum capacity (E_{max})		20 t	30 t	40 t	60 t	100 t					
Deflection at E_{max} (s_{nom}), approx.	mm	0.65	0.75	0.85	1.22	1.57					
Weight (G) with cable, approx.	kg	2.1	2.3	2.9	3.7	8					
Protection class according to EN60529 (IEC529)		IP68 (test conditions 100 h at 1 m water column) IP69 K (water at high pressure, steam jet cleaning)									
Material: Measuring body + housing Cable fitting Sealing Cable-sheath		stainless steel stainless steel (E_{max} 100 t: nickel-plated brass) Viton® (E_{max} 100 t: silicone) thermoplastic elastomer									

¹⁾ Throughout corner pre-adjustment the Sensitivity and Output resistance are coordinated, so that the indicated value of the scale is within permissible limits when off-center load is applied.

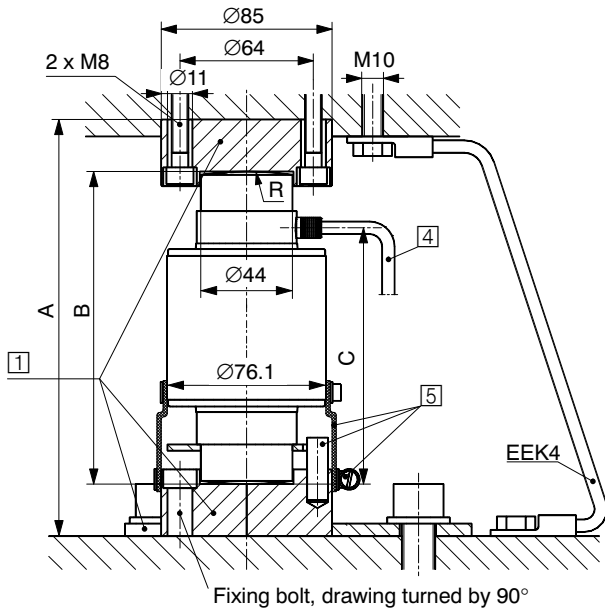
²⁾ The data for Non-Linearity (d_{lin}), Hysteresis error (d_{hy}) and Temperature effect on sensitivity (TK_C) are typical values. The sum of these data meets the requirements for $p_{LC} = 0.7$ according to OIML R60 respectively NTEP.

Available Options for C16A:

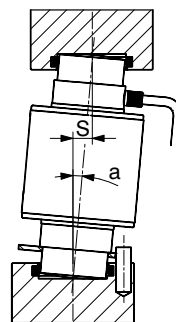
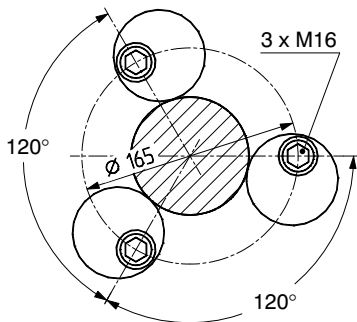
- **Explosion-proof versions according to ATEX:**
 - II 2 G Ex ia IIC T4 resp. T6 (Zone 1) *)
 - II 2 D Ex tD A21 IP68 T80 °C (Zone 21) *)
 - *) with EC-Type Examination Certificate
 - II 3 G Ex nA II T6 (Zone 2)
 - II 3 D Ex tD A22 IP68 T80 °C (Zone 22 for non-conductive dust)
 - II 2 G Ex d IIC T6 (Zone 1) *); see separate data sheet
 - *) with EC-Type Examination Certificate
- **Overvoltage protection** (not possible in connection with Explosion-proof versions)
- $v_{min} = 0.0050\%$ (Y=20000)
- **Accuracy classes C4 and C5 (OIML)** on request
- **Cable length 20 m** ($E_{max} = 20\text{ t} + 30\text{ t}$) / • **Cable length 40 m** ($E_{max} = 20\text{ t} \dots 100\text{ t}$)
- **20 m metal braided cable** ($E_{max} = 20\text{ t} \dots 60\text{ t}$)

Mounting variation 1:

C16.../≤60 t + C16/ZOU44A (max. load per load cell = 40 t)

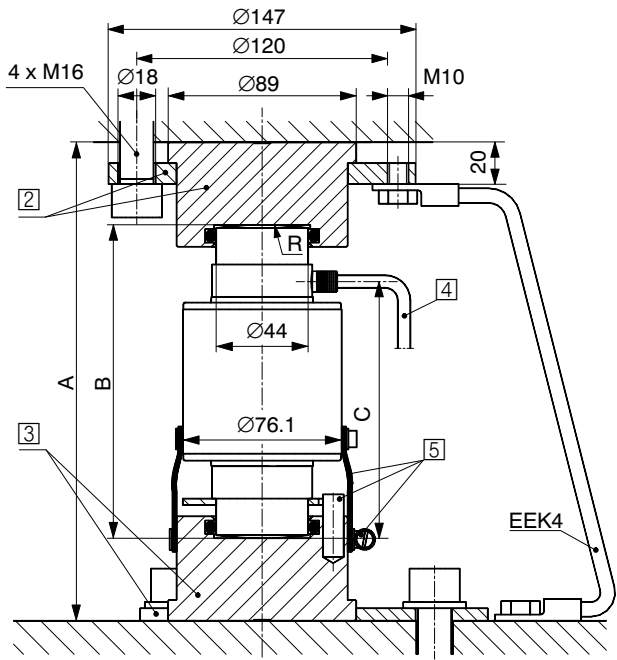


Top view



Mounting variation 2:

C16.../≤60 t + EPO3/50 t + C16/EPU44A



- 1 C16/ZOU44A
- 2 EPO3/50 t
- 3 C16/EPU44A
- 4 Cable length (standard):
20 t + 30 t = 12 m;
40 t + 60 t = 20 m
- 5 Dowel pin Ø10 x 30 (rotation stop),
flexible tube and tube clip enclosed
in the packing of the load cell

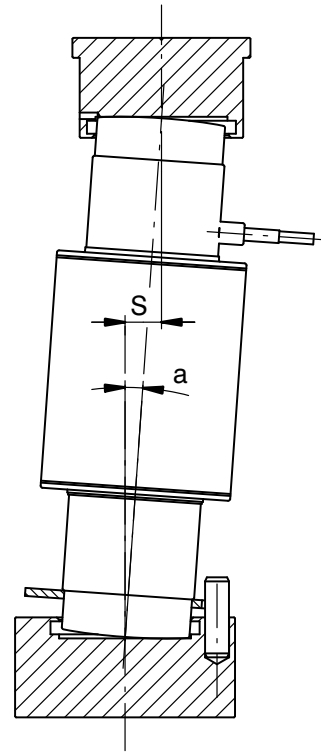
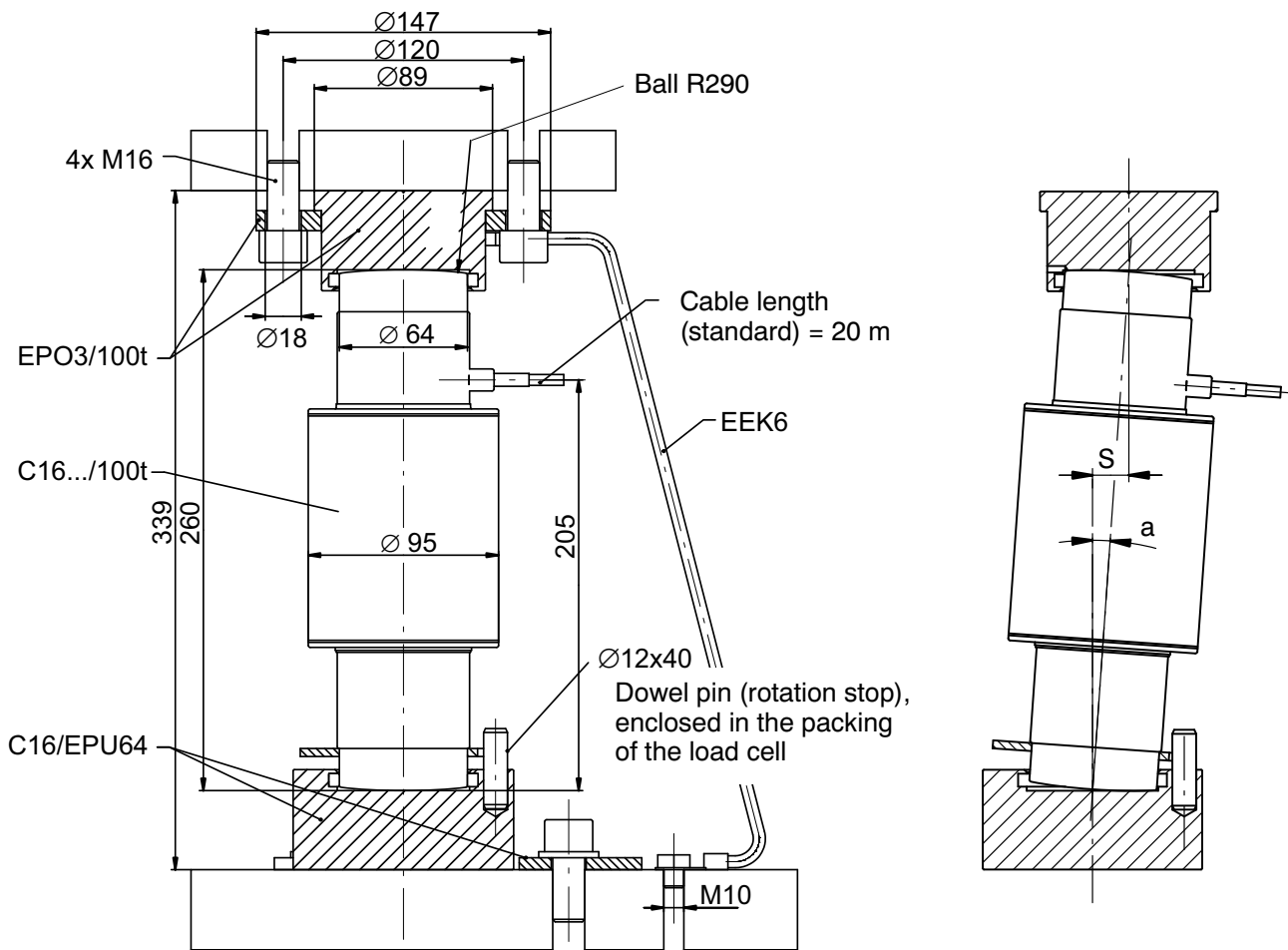
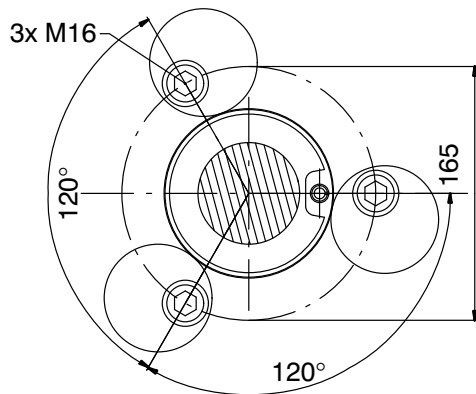
Mount. variation 1	E _{max} C16...	Thrust pieces above + below (1 set = 2 pcs.)		A	B	C	R Ball	a _{max} 2)	S _{max} 3)	F _R 4) (% of applied load)	
										at S _{max}	at S = 1 mm
Mount. variation 1	20 t	C16/ZOU44A 1)		200	150	123	130	5°	13	6.4	0.49
	30 t			200	150	123	160	5°	13	9.9	0.76
	40 t			200	150	123	180	5°	13	12.2	0.94
	60 t			260	210	157	220	3°	11	5.7	0.52
Mount. variation 2	E _{max} C16...	Thrust pieces		A	B	C	R Ball	a _{max} 2)	S _{max} 3)	F _R 4) (% of applied load)	
		above	below							at S _{max}	at S = 1 mm
Mount. variation 2	20 t	EPO3/50 t	C16/EPU44A	229	150	123	130	5°	13	6.4	0.49
	30 t			229	150	123	160	5°	13	9.9	0.76
	40 t			229	150	123	180	5°	13	12.2	0.94
	60 t			289	210	157	220	3°	11	5.7	0.52

1) Maximum load: 40 t
2) Max. permissible skewing

3) Max. permissible lateral displacement of load introduction
4) Restoring force

C16.../100 t + EPO3/100 t + C16/EPU64

Dimensions in mm; 1 mm = 0.03937 inches


Top view


a_{max} (max. permissible skewing)	S_{max} (max. permissible lateral displacement of load introduction)	F_R (Restoring force, % of applied load)	
		at S_{max}	at $S = 1 \text{ mm}$
4°	18	8.6	0.48

Furthermore deliverable: Maximum capacity 200 t (see separate data sheet)

Accessories (to be ordered separately):

Thrust pieces

Maximum capacities 20 t ... 60 t – Mounting Variation 1:

- **C16/ZOU44A** Thrust pieces (stainless steel) for above and below (1 Set = 2 pcs.), for use with C16.../≤60 t up to a maximum load per load cell of 40 tons, incl. 3 excentric washers

Maximum capacities 20 t ... 60 t – Mounting Variation 2:

- **EPO3/50t** Thrust piece for above, incl. spanner
- **C16/EPU44A** Thrust piece for below, incl. 3 excentric washers

Maximum capacities 100 t:

- **EPO3/100t** Thrust piece for above, incl. spanner
- **C16/EPU64** Thrust piece for below, incl. 3 excentric washers

Grounding cable (copper), cross section: 16 mm²



- **EEK4** for Maximum capacities 20 t ... 60 t, Length 400 mm, Order no.: 1-EEK4
- **EEK6** for Maximum capacities 100 t + 200 t, Length 600 mm, Order no.: 1-EEK6

Ordering codes:

C16A Load cells			
Type	C16A(D1)		C16AC3
Accuracy	D1 (OIML) / III LM (NTEP)		C3 (OIML)
Note	-		-
Capacity	Order no.		Order no.
20t	1-C16A2D1/20T-1		1-C16A2C3/20T-1
30t	1-C16A2D1/30T-1		1-C16A2C3/30T-1
40t	1-C16A2D1/40T-1		1-C16A2C3/40T-1
60t	1-C16A2D1/60T		1-C16A2C3/60T
100t	1-C16A2D1/100T		1-C16A2C3/100T
200t *)	1-C16A/200T *)		-

*) Accuracy: 0.1%

C16A Load cells, optional versions

Order no.	
K-C16A2	
Code	Option 1: Mechanical version
S	Standard
Code	Option 2: Accuracy
0.1	0.1% [only with Option 3 = 200]
D1	D1 (OIML) [only with Option 3 = 20 / 30 / 40 / 60 / 100]
C3	C3 (OIML) [only with Option 3 = 20 / 30 / 40 / 60 / 100]
C4	C4 (OIML) [only with Option 3 = 30 / 40 / 60]
C5	C5 (OIML) [only with Option 3 = 30 / 40 / 60] (on request)
Code	Option 3: Capacity
20	20t [only with Option 2 = D1 / C3]
30	30t [only with Option 2 = D1 / C3 / C4 / (C5 on request)]
40	40t [only with Option 2 = D1 / C3 / C4 / (C5 on request)]
60	60t [only with Option 2 = D1 / C3 / C4 / (C5 on request)]
100	100t [only with Option 2 = D1 / C3]
200	200t [only with Option 2 = 0.1]
Code	Option 4: Ex protection (accord. to ATEX 95)
N	non ATEX
1	ATEX Zone 1 + 21 and FM  [only with Option 6 = N] 
2	ATEX Zone 2 + 22 (non-conductive dust) [only with Option 6 = N]
Code	Option 5: Cable length
S12	12m (standard) [only with Option 3 = 20 / 30]
S20	20m (standard) [only with Option 3 = 40 / 60 / 100 / 200]
20	20m [only with Option 3 = 20 / 30]
40	40m
20R	20m (Metal braiding) [only with Option 3 = 20 / 30 / 40 / 60]
Code	Option 6: Lightning protection
N	without
L	with Lightning protection [only with Option 4 = N]
Code	Option 7: Miscellaneous
N	without
Y	Y=20000 [only with Option 2 = C3]
K-C16A2 - S - [] - [] - [] - [] - [] - []	

Modifications reserved.

All details describe our products in general form only. They are not to be understood as express warranty and do not constitute any liability whatsoever.

Hottinger Baldwin Messtechnik GmbH

 Im Tiefen See 45 · 64293 Darmstadt · Germany
 Tel. +49 6151 803-0 · Fax: +49 6151 803-9100
 Email: info@hbm.com · www.hbm.com

measure and predict with confidence

Franca, SP

(16) 3707-3619

Av. Rio Amazonas, 1560

CEP 14406-010

contato@tecnicabalancas.com.br